

APPLICATIONS & EQUIPMENT

- ◆ Vacuum Pumps & Systems - P.D., Side Channel, Rotary Vane, Screw, Piston
- ◆ Vacuum Packaging Equipment
- ◆ Vacuum Lifters
- ◆ Blowers - Side Channel & P.D
- ◆ Intake Suction Filters
- ◆ Pneumatic Conveying Systems
- ◆ Soil Venting/Remediation
- ◆ Remote Installations for Piston & Screw Compressors
- ◆ Printing Industry
- ◆ Factory Automation Equip
- ◆ Leak Detection Systems
- ◆ Wood working
- ◆ Medical Industry

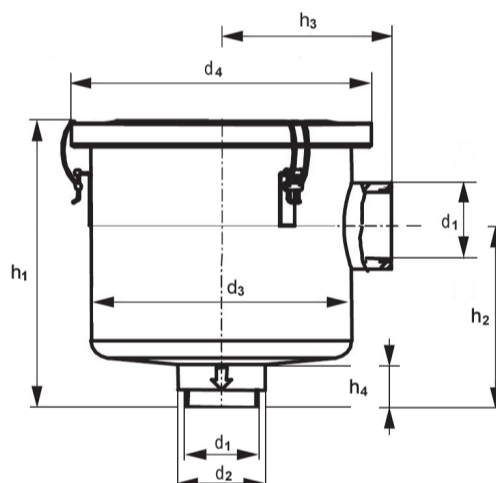
FEATURES & SPECIFICATIONS

- ◆ Vacuum level: Typically 1×10^{-3} mmhg (1.3×10^{-3} mbar)
- ◆ Polyester: 99% + removal efficiency standard to 5 micron
- ◆ Paper: 99% + removal efficiency standard to 2 micron
- ◆ Brazed fittings for High vacuum duty
- ◆ Stainless steel torsion clips for durability
- ◆ Low pressure drop
- ◆ Positive engagement O-ring seal system
- ◆ Seamless drawn housings
- ◆ Large dirt holding capacity and Easy field cleaning, especially when mounted horizontally or inverted
- ◆ Rugged all steel construction w/backed enamel finish
- ◆ Various media
- ◆ Temp (continuous): min -15°F (-26°C) max 220°F (104°C)
- ◆ Filter change out differential: 10" -15" H₂O over initial delta P
- ◆ Pressure drop graphs available upon request

CONFIGURATION



DRAWING



Selection And Ordering Data

With Polyester Element	FPT Inlet & Outlet	Dimensions (mm)								Rated Flow (m3/min)	Approx.wt. (kg)
		d1	d2	d3	d4	h1	h2	h3	h4		
2BX4 080	1 1/4"	G1 1/4	48	125	145	116	68	77	146	1.8	1.5
2BX4 081	1 1/2"	G1 1/2	53	172	188	167	111	100	16	2.4	2.3
2BX4 082	2"	G2	68	194	217	256	129	110	20	5.0	4.3
2BX4 083	2 1/2"	G2 1/2	86	194	217	256	129	110	13	6.0	4.3
2BX4 084	4"	G4	123	268	272	263	147	197	74	14.7	14.5

Note: Model offerings and design parameters may change without notice.